

### LITHIUM IRON PHOSPHATE BATTERY

#### ELECTRICAL SPECIFICATIONS

Nominal Voltage	12.8 V
Nominal Capacity	3.5Ah
Capacity @ 0.2C	>290 min
Energy	44.8Wh
Resistance	< 100 mΩ
Efficiency	99%
Self Discharge	<3% per Month
Maximum Modules in Series	2

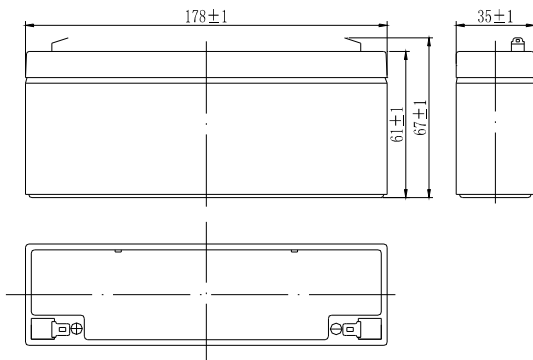
#### DISCHARGE SPECIFICATIONS

Maximum Continuous Discharge Current	3.5 A
Peak Discharge Current	7 A
Recommended Low Voltage Disconnect	11 V
PCM Discharge Voltage Cut-Off	10 V
Reconnect Voltage	12 V
Short Circuit Protection	Yes

#### TEMPERATURE SPECIFICATIONS

Discharge Temperature	-4 to 140 °F (-20 to 60 °C)
Charge Temperature	32 to 131 °F (0 to 55 °C)
Storage Temperature	-4 to 140 °F (-20 to 60 °C)
PCM High Temperature Cut-Off	176 °F (80 °C)

#### DIMENSIONAL SPECIFICATIONS



#### MECHANICAL SPECIFICATIONS

Dimensions (L x W x H)	178 x 35 x 61mm
Weight	0.45 kg
Terminal Type	F1
Case Material	ABS
Enclosure Protection	IP54
Chemistry	LiFePO <sub>4</sub>

#### CHARGE SPECIFICATIONS

Recommended Charge Current	<1.5 A
Maximum Charge Current	2 A
Recommended Charge Voltage	14.2 V - 14.6 V
PCM Charge Voltage Cut-Off	14.6 V
Reconnect Voltage	14.0 V

