

TECHNICAL DATASHEET

TAB POLAR S100JX

ORDER INFORMATION

TAB ID
246102

Short Code
S100JX

DIN Marking
60019 SMF

EAN Code
3838807046603

Quantity per EU/CNT pallet
42/70 pcs

TECHNOLOGY

Primary Function
Engine Start

Battery Technology
Flooded

Grid Type (pos/neg)
Expanded/Concasted

Grid Alloy (pos/neg)
Ca/Ca

Separator
PE

Electrolyte (g/cm³)
1,28

TECHNICAL INFORMATION

Voltage (V)
12

Capacity C20 (Ah)
100

CCA -18°C EN (A)
900

RC (min)
182

LxWxH (mm)
306x173x200/221

Total Weight (kg)
21.6

BOX DESIGN

Box Type
D31

Cover Type
SMF

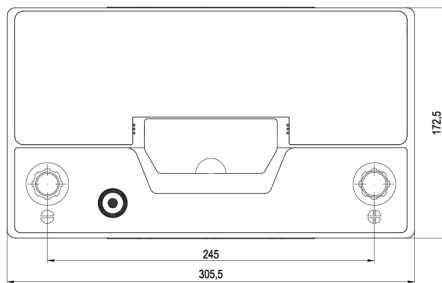
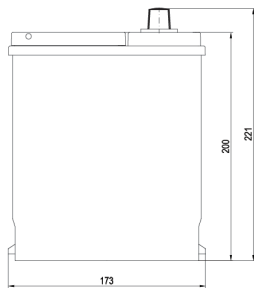
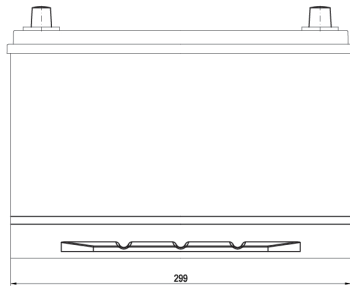
Colour
Black

Layout
1

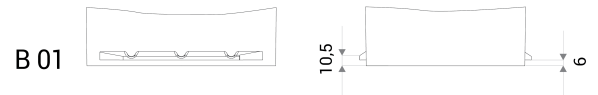
BHD
B01

Terminal
1

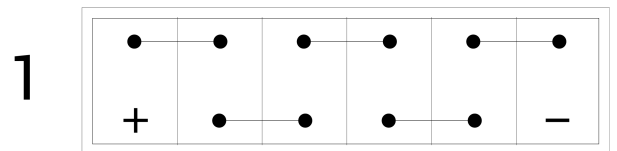
DRAWING



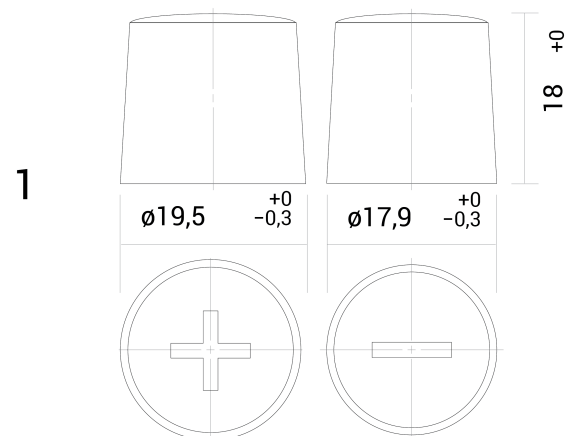
BHD



LAYOUT



TERMINAL



TECHNICAL DATASHEET

TAB POLAR S100JX