



TECHNICAL DATASHEET

TAB AGM TRUCK AG22

ORDER INFORMATION

TAB ID
5500845

Short Code
AG22

DIN Marking
C AGM

EAN Code
3838817955148

Quantity per EU/CNT pallet
18/24 pcs

TECHNOLOGY

Primary Function
Engine start

Battery Technology
AGM - Absorbent Glass Mat

Grid Type (pos/neg)
Expanded/Concasted

Grid Alloy (pos/neg)
Ca/Ca

Separator
AGM

Electrolyte (g/cm³)
1,32

TECHNICAL INFORMATION

Voltage (V)
12

Capacity C20 (Ah)
225

CCA -18°C EN (A)
1250

RC (min)
490

LxWxH (mm)
518x274x216/243

Total Weight (kg)
62.0

BOX DESIGN

Box Type
C

Cover Type
Sealed

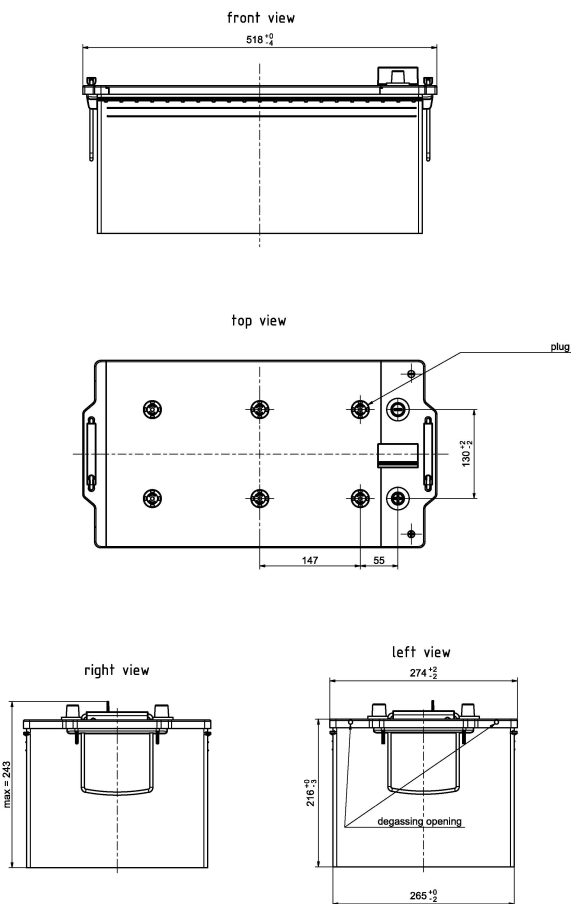
Colour
Black

Layout
3

BHD
B0

Terminal
1

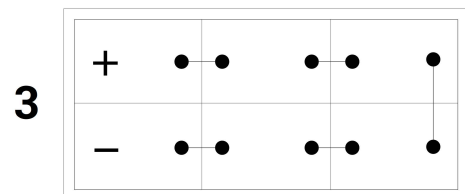
DRAWING



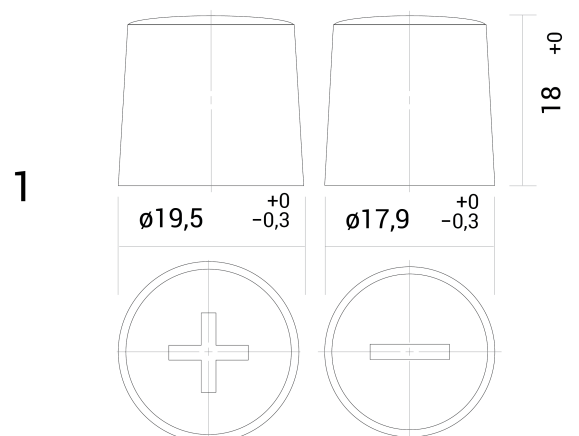
BHD



LAYOUT



TERMINAL



TECHNICAL DATASHEET

TAB AGM TRUCK AG22